

Netgate 1100 Security Gateway: The Price-Performance Killer

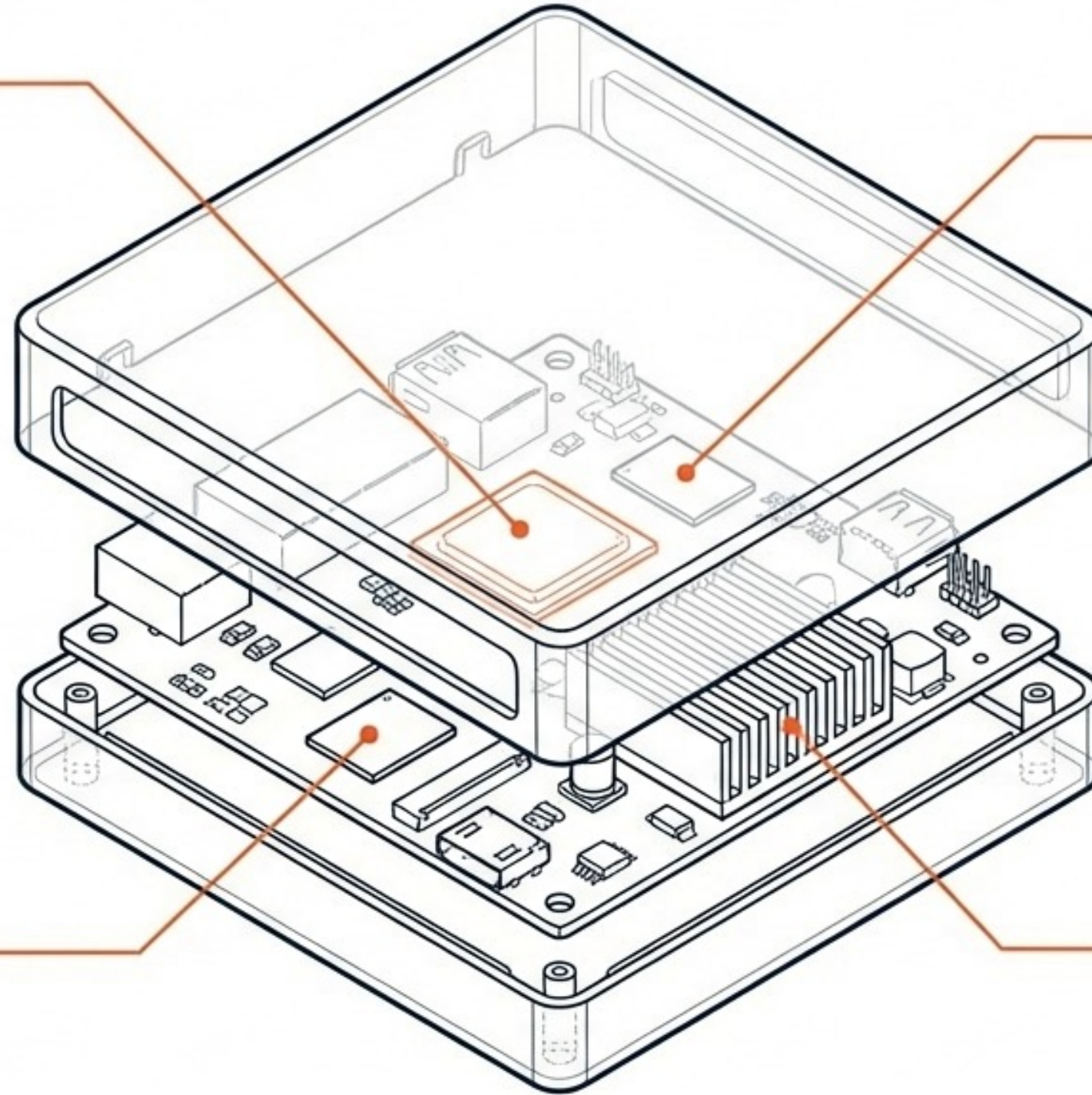
Enterprise-grade secure networking for the home, office, and edge.



Powered by
pfSense® Plus Software
Inter and JetBrains Mono

HARDWARE ANATOMY

SoC: **Marvell Armada 3720LP**
(88F3720).
Dual Core ARM Cortex A53
@ 1.2GHz. 64-bit ARMv8
networking platform.

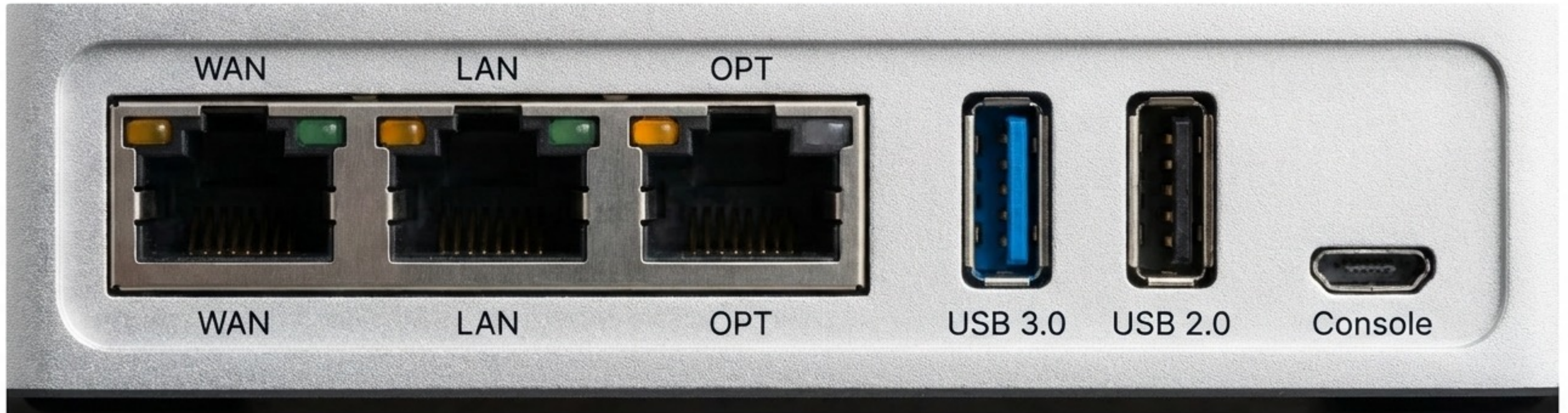


Memory: **1 GB DDR4 RAM**.
Stable, high transfer rates for
memory-intensive apps.

Storage: **8 GB eMMC**.

Cooling: Heat sink + passive
cooling system.
Silent thermal management.

Connectivity & Ports



Networking Switch

Marvell **88E6141**

Ethernet Interfaces

3x GbE Ethernet
(WAN / LAN / OPT)

Peripheral Connectivity

1x USB 3.0
1x USB 2.0
1x Micro USB (Console)

Note: Not POE compatible; Power over USB not supported.

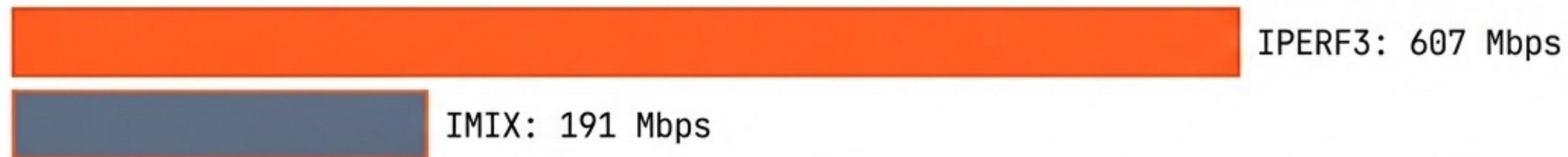
Performance Benchmarks

Throughput speeds (Mbps) - pfSense Plus version 22.01

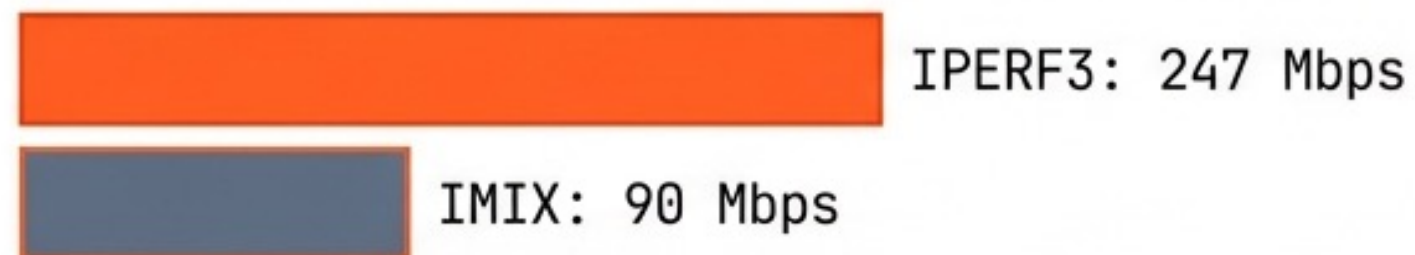
L3 Forwarding



Firewall (10k ACLs)



IPsec VPN (AES-CBC-128 + SHA1)

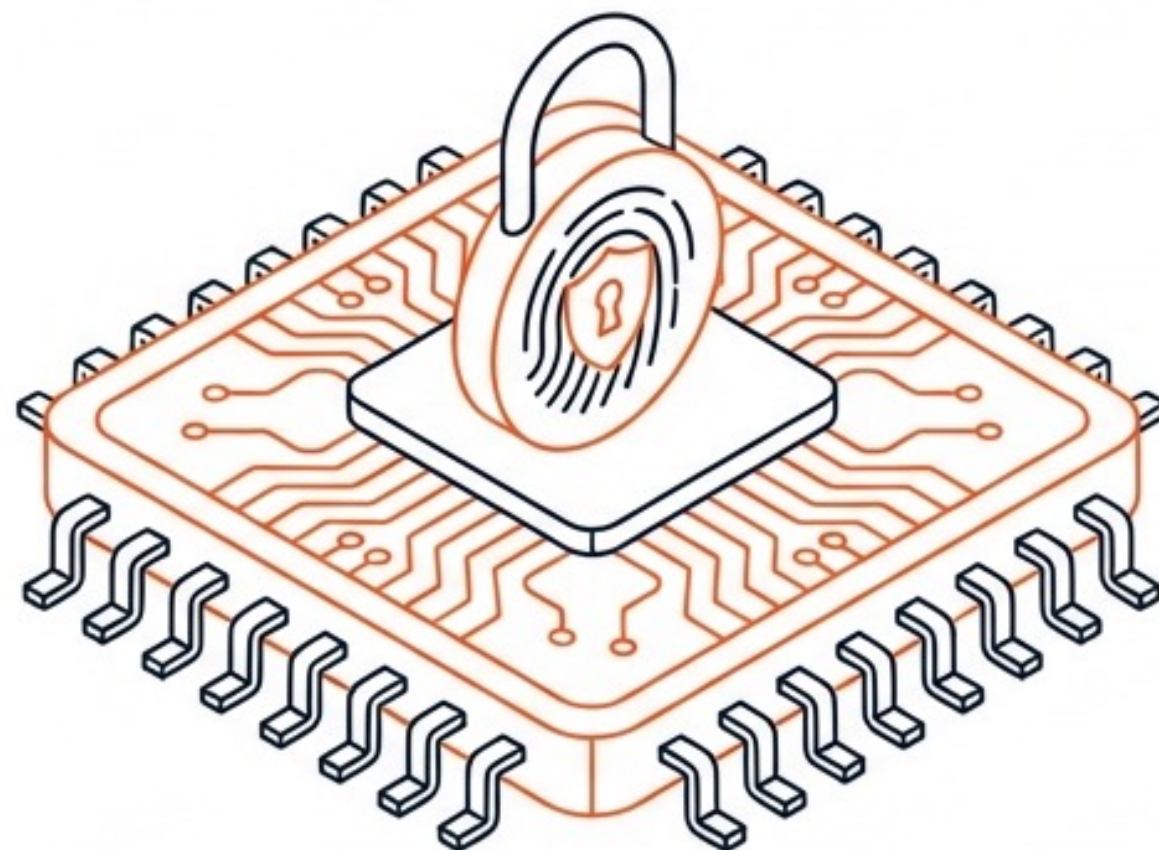




The Power of pfSense® Plus

- ✓ **Business Assurance:** Proven reliability expected from leading secure networking applications.
- ✓ **Zero Artificial Limits:** No additional usage or feature-based pricing.
- ✓ **Performance Capable:** Software supports up to **10 Gbps** performance.
- ✓ **Flexibility:** Extensive 3rd-party application options.

Security & Crypto-Authentication



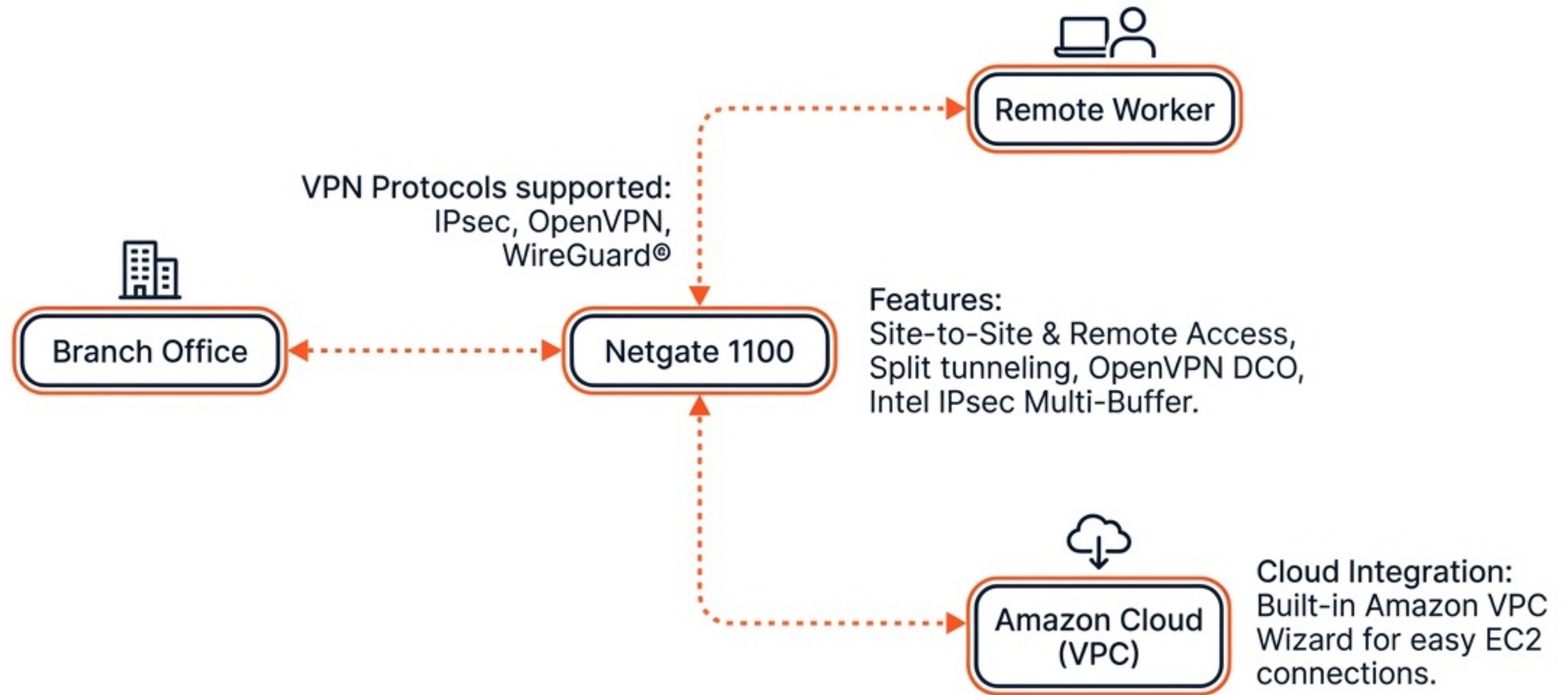
Supply Chain Security

- ✓ Equipped with Microchip® CryptoAuthentication Device.
- ✓ Assurance that the system is running authentic, unaltered pfSense Plus software.

Firewall Capabilities

- ✓ Stateful filtering and packet inspection.
- ✓ Snort-based IDS/IPS packet analyzer.
- ✓ Geo/country blocking and IP block lists.
- ✓ Layer 7 application detection.

Connectivity & VPN Capabilities



Networking Features Toolkit



Multi-WAN
Load Balancing



Failover WAN



Traffic Shaping



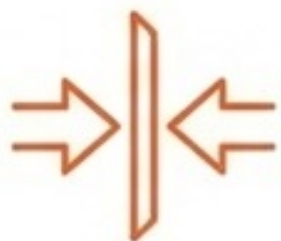
Captive Portal



DNS / DHCP
Server



Complex NAT
Mapping



Reverse Proxy

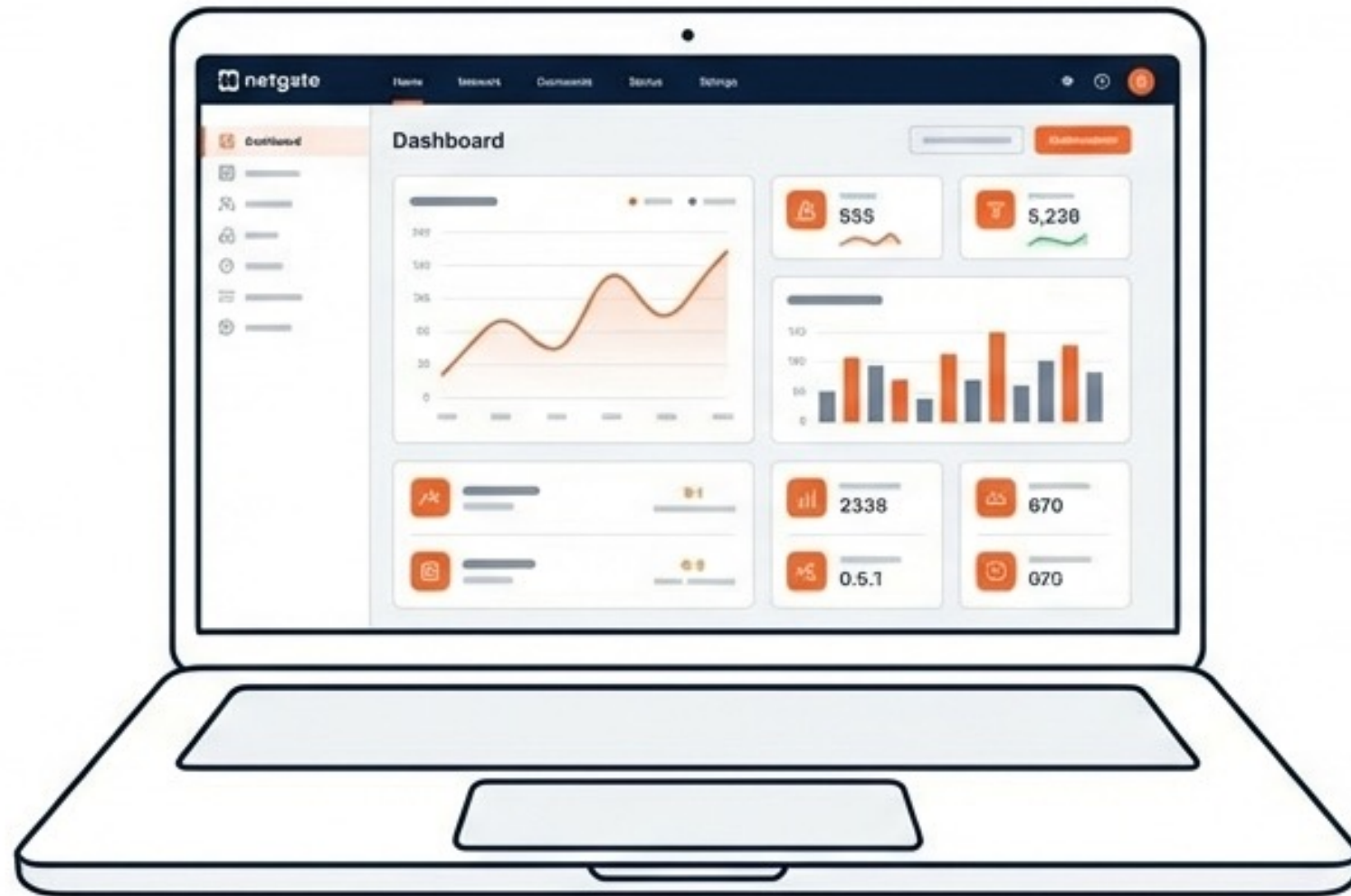


VLAN Support
(802.1q)



IPv4 & IPv6
Support

Easy GUI Management



No fumbling with command lines
or arcane commands.

-  **Web-based** configuration.
-  **Setup Wizard** for initial deployment.
-  Customizable **dashboard** with monitoring widgets.
-  Encrypted **automatic backup (ACB)** to Netgate server.

Deployment Scenarios



Low Total Cost of Ownership (TCO)



Energy Efficiency

3.48W Power Consumption (Idle).

Saves on utility bills.



Longevity

No moving parts (fanless).
Designed for long deployment lifetimes.

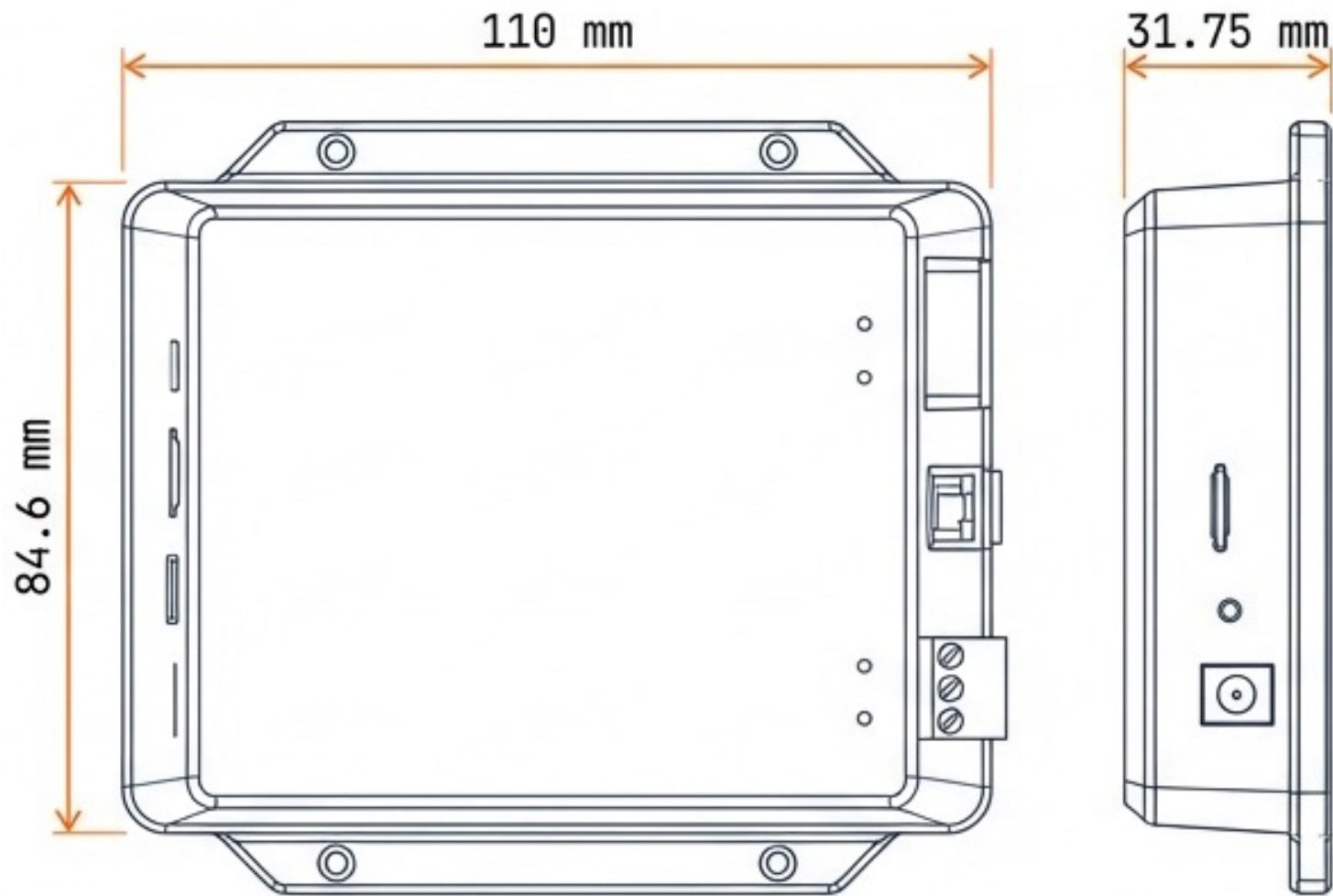


No Hidden Fees

Unlimited users,
unlimited firewall rules,
unlimited IPsec tunnels.

No artificial limits.

What's in the Box & Specs



- Dimensions: **110 x 84.6 x 31.75 mm**
(4.33" x 3.33" x 1.25")
- Enclosure: Plastic, attractive case
- Mounting: Wall mountable (DIN and Wall rail options available)
- Operating Temp: **0°C to 45°C**
- Power Supply: **12V 2A DC**
(Jack: 5.5mm x 2.1mm)
- Certifications: **CE, FCC, RoHS, UKCA**

Support & Warranty



Support Included

- **TAC Lite Included:** 24x7 zero-to-ping support from Netgate Global Support.
- Access to continuously updated online documentation.
- Active Community Forum access.



Warranty

- **1 Year** Manufacturer's Hardware Warranty.
- 30-day return policy.